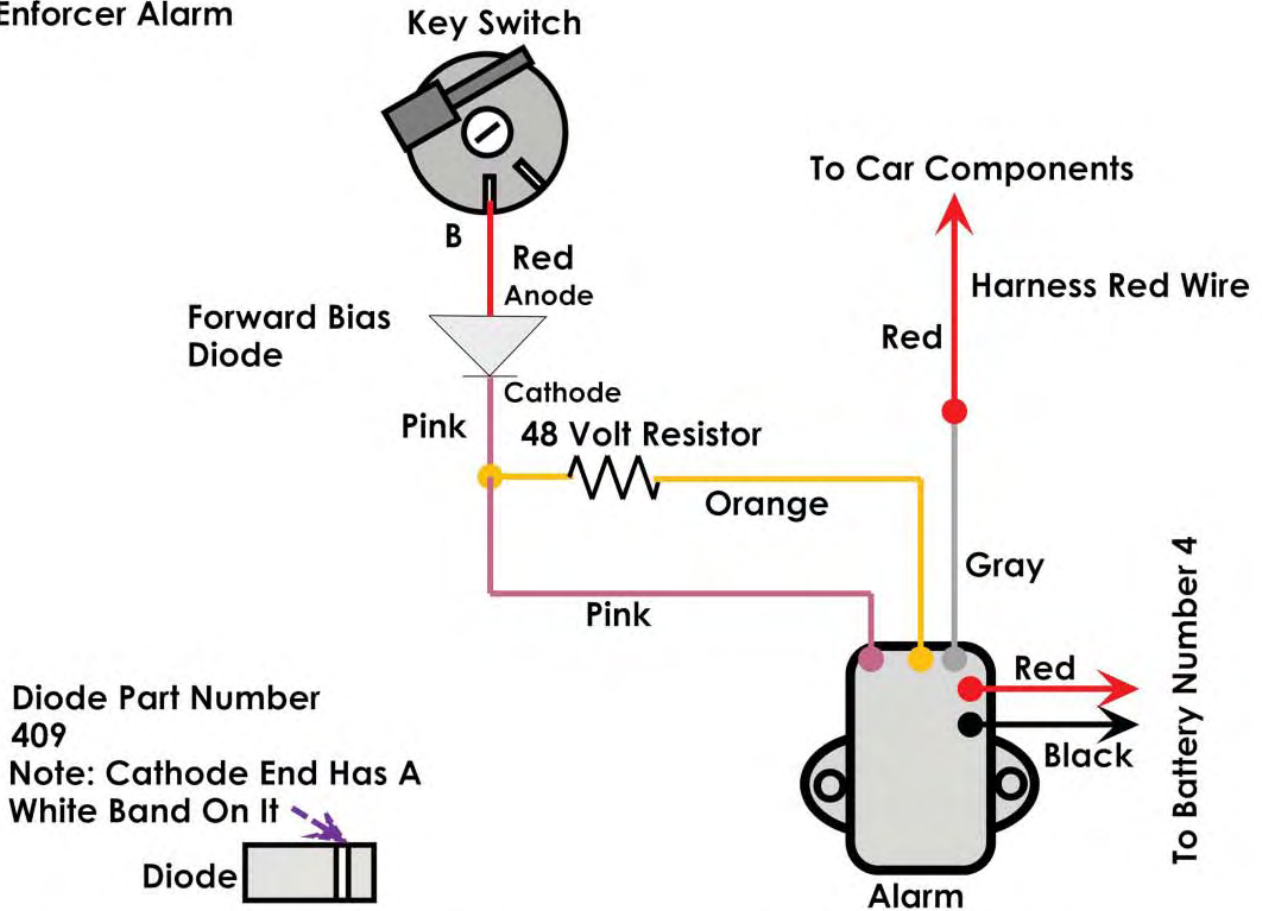
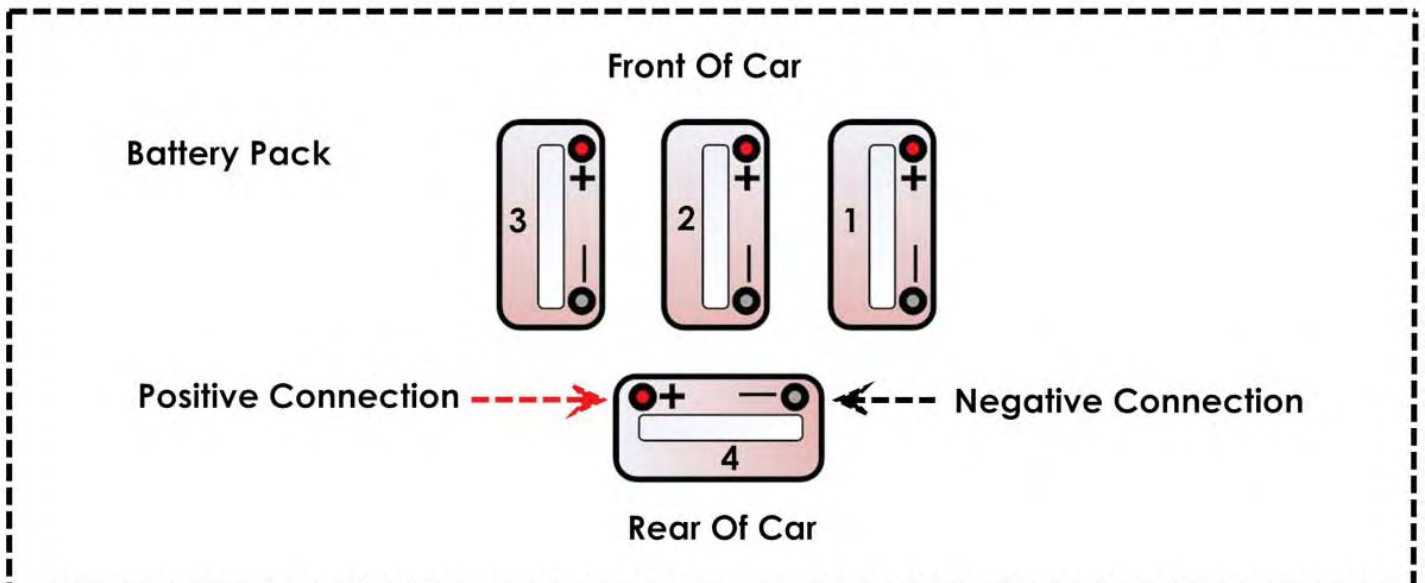


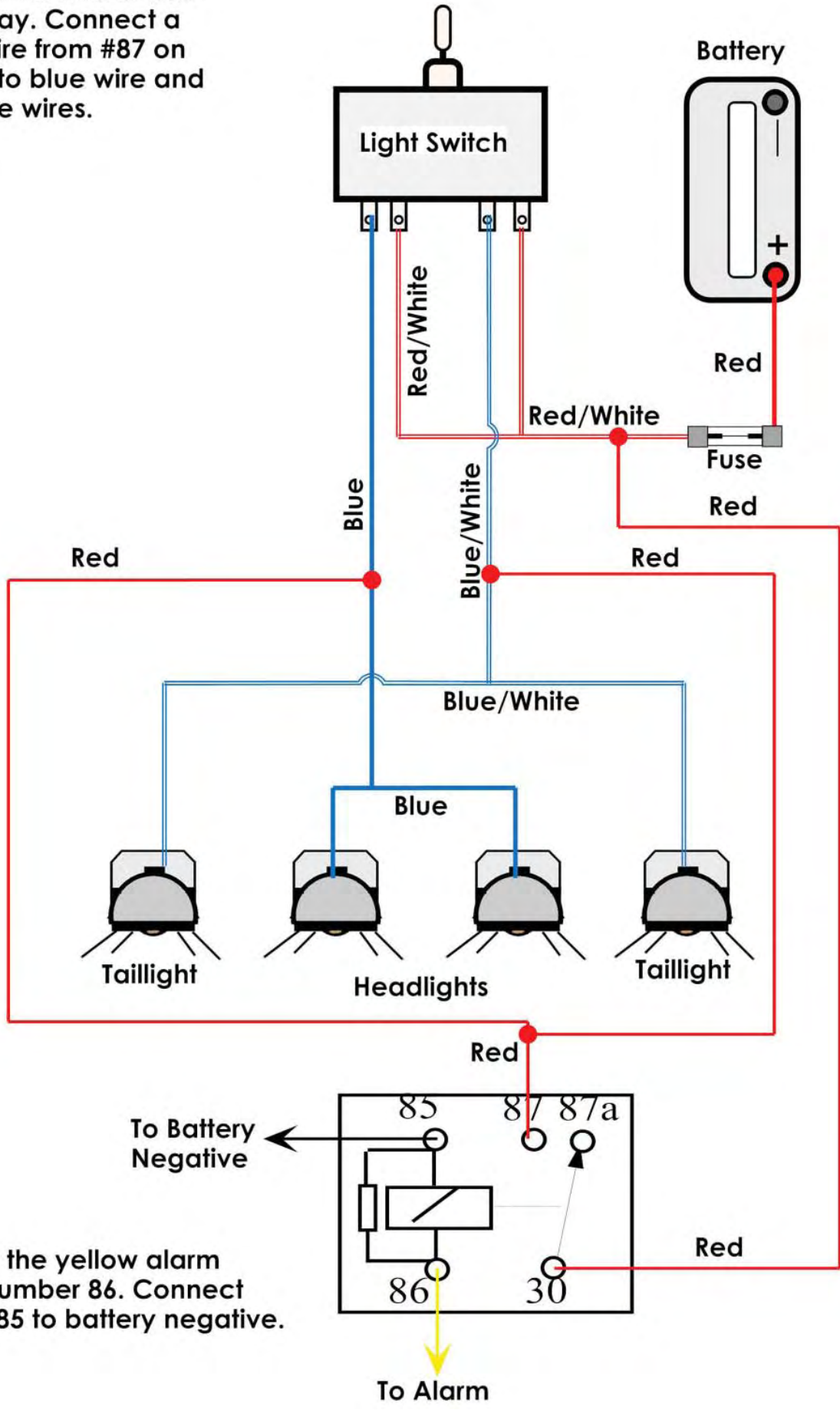
RXV Enforcer Alarm



On the key switch B terminal cut the red in-put wire (leave long enough to connect to). Connect the anode of diode to the red wire half going into the key switch. Connect the cathode of diode to pink and orange wire from alarm. Connect the gray alarm wire to red wire going into the car loom. Connect alarm red wire to battery number 4 positive terminal. Connect alarm black wire to battery number 4 negative terminal.



Connect a jumper wire from the red/white wire to #30 on the relay. Connect a jumper wire from #87 on the relay to blue wire and blue/white wires.



Connect the yellow alarm wire to number 86. Connect number 85 to battery negative.